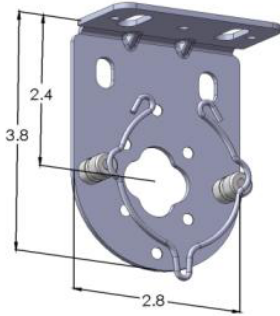


*dimensions in inches



BMSCM Bracket Motor Short Ceiling Mount

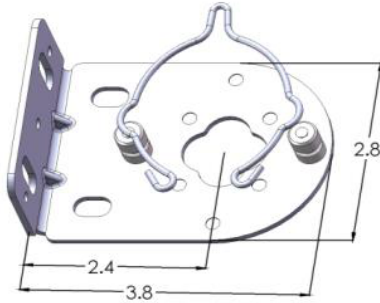
Motor Bracket for LT50 Star Head Motors

Zinc plated steel

Stainless steel screws

Maximum weight capacity - 40LB

Max Roll \varnothing 4 1/8"



BMSWM Bracket Motor Short Wall Mount

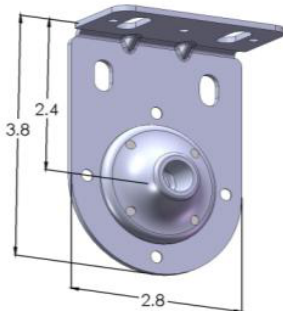
Motor Bracket for LT50 Star Head Motors

Zinc plated steel

Stainless steel screws

Maximum weight capacity - 40LB

Max Roll \varnothing 4 1/8"



BIS Bracket Idler Short

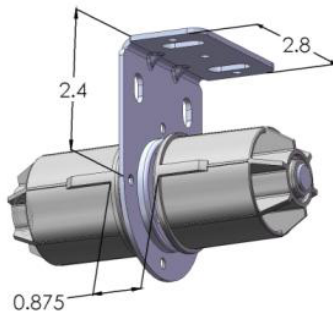
Idler Bracket for LT50 Star Head Motors

Zinc plated steel and Delrin

Stainless steel screws

Maximum weight capacity - 40LB

Max Roll \varnothing 4 1/8"



CBAS Coupling Bracket Assy Short

Works with notched 2 inch tube and tubes with internal key

Zinc plated steel bracket

Delrin and Nylon Composit Components

Maximum weight capacity - 40LB

Max Roll \varnothing 4 1/8"